

Technical data sheet

Product features



Cooling counter GN 1/1, 2 door, with sink and splash back, stainless steel, 230 V

Model	SAP Code	00003900
--------------	-----------------	----------



SAP Code	00003900	Net Weight [kg]	100.00
Net Width [mm]	1380	Power electric [kW]	0.320
Net Depth [mm]	700	Loading	230 V / 1N - 50 Hz
Net Height [mm]	850		

Technical data sheet

Technical drawing

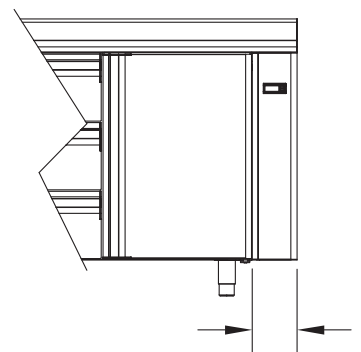
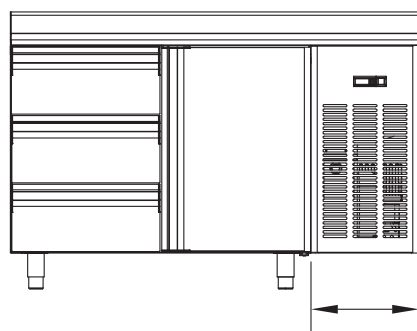
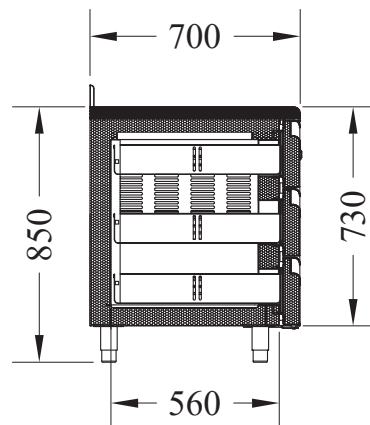
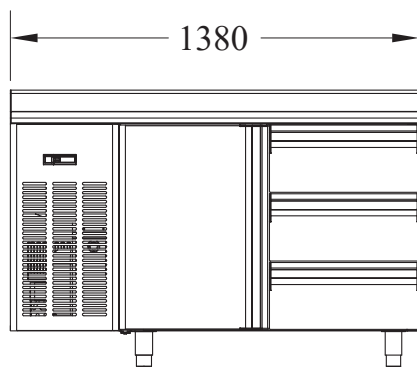
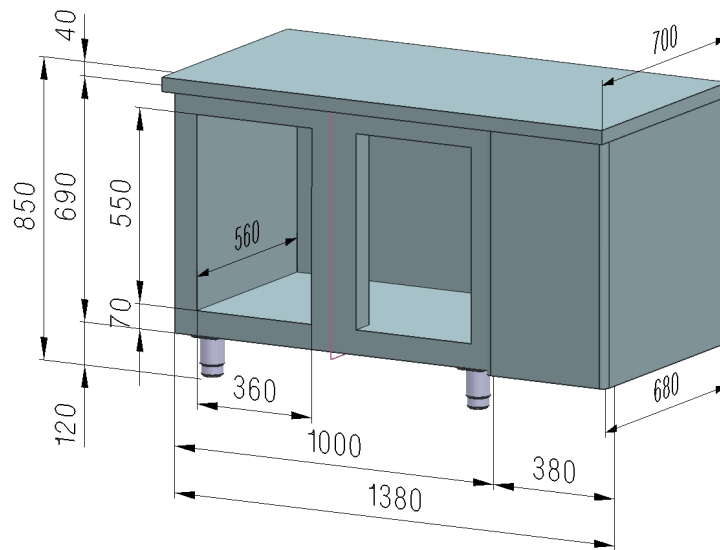


Cooling counter GN 1/1, 2 door, with sink and splash back, stainless steel, 230 V

Model

SAP Code

00003900



Technical data sheet

Technical parameters



Cooling counter GN 1/1, 2 door, with sink and splash back, stainless steel, 230 V

Model

SAP Code

00003900

1. SAP Code:

00003900

8. Gross Height [mm]:

900

2. Net Width [mm]:

1380

9. Gross Weight [kg]:

120.00

3. Net Depth [mm]:

700

10. Power electric [kW]:

0.320

4. Net Height [mm]:

850

11. Loading:

230 V / 1N - 50 Hz

5. Net Weight [kg]:

100.00

12. Gross Volume [m3]:

0.979

6. Gross Width [mm]:

1450

13. Net Volume [m3]:

0.821

7. Gross depth [mm]:

750